

INSTRUCTIONS FOR USE AND MAINTENANCE OF EXTERNAL BLINDS

GENERAL INFORMATION

Tento návod je určený pro všechny uživatele venkovních žaluzií firmy Servis Climax. Návod důkladně pročtete před prvním použitím výrobku a uchovejte po celou dobu užívání výrobku. Na všechny výrobky společnosti SERVIS CLIMAX a.s. je poskytována záruka 4 roky. Výrobce: SERVIS CLIMAX a.s., Jasenice 1253, 755 01 Vsetín, IČ: 25352628
Děkujeme za zakoupení produktů firmy SERVIS CLIMAX a.s.



Tento symbol upozorňuje na případné nebezpečí, nebo důležitou informaci.

GENERAL INFORMATION


1) All external blinds of the SERVIS CLIMAX company are manufactured in accordance with standard ČSN EN 13659+A1 and are CE marked.


CE
SERVIS CLIMAX a.s., Jasenice 1253,Vsetín, 75501, CZ 17 08-02-17
External blind T80, 8-200-07-010000 External sun shading system Wind resistance: Technical class 5 - 0 Additional thermal resistance ΔR : 0.08 m2K/W Total solar energy transmittance gtot: 0.03 – 0.09 EN 13659:2015


CE
SERVIS CLIMAX a.s., Jasenice 1253,Vsetín, 75501, CZ 17 01-02-17
External blind C-80, 8-200-01-010000 External sun shading system Wind resistance: Technical class 5 - 0 Additional thermal resistance ΔR : 0.08 m2K/W Total solar energy transmittance gtot: 0.03 – 0.09 EN 13659:2015


CE
SERVIS CLIMAX a.s., Jasenice 1253,Vsetín, 75501, CZ 17 06-02-17
External blind C-80 VENTAL, 8-200-01-010001 External sun shading system Wind resistance: Technical class 5 - 0 Additional thermal resistance ΔR : 0.08 m2K/W Total solar energy transmittance gtot: 0.03 – 0.09 EN 13659:2015


CE
SERVIS CLIMAX a.s., Jasenice 1253,Vsetín, 75501, CZ 17 07-02-17
External blind C-60, 8-200-05-001000 External sun shading system Wind resistance: Technical class 5 - 0 Additional thermal resistance ΔR : 0.08 m2K/W Total solar energy transmittance gtot: 0.03 – 0.09 EN 13659:2015


SERVIS CLIMAX a.s., Jasenice 1253,Vsetín, 75501, CZ 17 05-02-17
External blind Z-90 NOVAL, 8-200-02-010001 External sun shading system Wind resistance: Technical class 5 - 0 Additional thermal resistance ΔR : 0.08 m2K/W Total solar energy transmittance gtot: 0.03 – 0.09 EN 13659:2015


SERVIS CLIMAX a.s., Jasenice 1253,Vsetín, 75501, CZ 17 02-02-17
External blind Z-70, 8-200-04-010000 External sun shading system Wind resistance: Technical class 5 - 0 Additional thermal resistance ΔR : 0.08 m2K/W Total solar energy transmittance gtot: 0.03 – 0.09 EN 13659:2015


SERVIS CLIMAX a.s., Jasenice 1253,Vsetín, 75501, CZ 17 03-02-17
External blind F-80, 8-200-03-010000 External sun shading system Wind resistance: Technical class 5 - 0 Additional thermal resistance ΔR : 0.08 m2K/W Total solar energy transmittance gtot: 0.03 – 0.09 EN 13659:2015


SERVIS CLIMAX a.s., Jasenice 1253,Vsetín, 75501, CZ 17 04-02-17
External blind EXT-50, 8-250-01-010000 External sun shading system Wind resistance: Technical class 5 - 0 Additional thermal resistance ΔR : 0.08 m2K/W Total solar energy transmittance gtot: 0.03 – 0.09 EN 13659:2015


SERVIS CLIMAX a.s., Jasenice 1253,Vsetín, 75501, CZ 17 09-02-17
CSN EN 13 659 8-280-01-000000 External sun shading system Wind resistance: Technical class: Class 6 Additional thermal resistance ΔR : 0,08 (m2K/W) Total solar energy transmittance gtot: 0,03 – 0,19

2) Blinds meet the wind resistance on the basis of tests according to ČSN EN 13659+A1. The wind resistance is determined on the type of the slat, used guide rail and the width of the blind. The declared values of the wind resistance are tested with closed windows/doors.

The wind resistance classes were assigned on the basis of tests carried out at Centrum stavebního inženýrství a.s.

(Civil Engineering Centre) in Zlín according to ČSN EN 13 659.

Wind resistance for external blinds guided in rails													
Wind resistance classes valid for loading both with pressure and intake of blinds	Width [cm]	A ≤ 200		200 < A ≤ 300		300 < A ≤ 400		400 < A ≤ 450		450 < A ≤ 480		180 < A ≤ 500	
	Height [cm]	EN 13 659 + A1	Beaufort	EN 13 659 + A1	Beaufort	EN 13 659 + A1	Beaufort	EN 13 659 + A1	Beaufort	EN 13 659 + A1	Beaufort	EN 13 659 + A1	Beaufort
T-80	up to 400	4	7	3	6	2	5	1	4	0	3	0	3
C-80, C-80 CC		4	7	3	6	2	5	1	4	0	3	0	2
C-80 VENTAL		5	8	4	7	3	6	2	5	1	4	0	3
C-60		5	8	4	7	3	6	2	5	1	4	0	3
Z-90 NOVAL		4	7	3	6	2	5	1	4	0	3	0	2
Z-70		5	8	4	7	3	6	2	5	1	4	0	3
F-80		3	6	2	5	1	4	0	3	0	2	0	1

Wind resistance for external blinds guided in wire													
Wind resistance classes valid for loading both with pressure and intake of blinds	Width [cm]	A ≤ 200		200 < A ≤ 300		300 < A ≤ 400		400 < A ≤ 450		450 < A ≤ 480		180 < A ≤ 500	
	Height [cm]	EN 13 659 + A1	Beaufort	EN 13 659 + A1	Beaufort	EN 13 659 + A1	Beaufort	EN 13 659 + A1	Beaufort	EN 13 659 + A1	Beaufort	EN 13 659 + A1	Beaufort
T-80	up to 250	2	5	1	4	0	3	0	2	0	1	0	0
	up to 400	1	4	0	3	0	2	0	1	0	0	0	0
C-80, C-80 CC	up to 250	2	5	1	4	0	3	0	2	0	1	0	0
	up to 400	1	4	0	3	0	2	0	1	0	0	0	0
C-80 VENTAL	up to 250	2	5	1	4	0	3	0	2	0	1	0	0
	up to 400	1	4	0	3	0	2	0	1	0	0	0	0
C-60	up to 250	2	5	1	4	0	3	0	2	0	1	0	0
	up to 400	1	4	0	3	0	2	0	1	0	0	0	0
Z-90 NOVAL	up to 250	2	5	1	4	0	3	0	2	0	1	0	0
	up to 400	1	4	0	3	0	2	0	1	0	0	0	0
Z-70	up to 250	2	5	1	4	0	3	0	2	0	1	0	0
	up to 400	1	4	0	3	0	2	0	1	0	0	0	0
F-80	up to 250	2	5	1	4	0	3	0	2	0	1	0	0
	up to 400	1	4	0	3	0	2	0	1	0	0	0	0
EXT-50, EXT-50H	up to 250	1	4	0	3	0	2	0	1	0	0	0	0
	up to 400	0	3	0	2	0	1	0	0	0	0	0	0

Wind resistance for external blinds PROTAL			
	blind height	blind width	Beaufort class
PROTAL	75 - 450 cm	50 - 280 cm	6

For blinds with the given widths, the deflections under load from the wind pressure do not cause permanent deformation over 5 thousandths, do not affect the functionality of the system negatively, and do not create a risk of release from the guide elements.

The stated classes of wind resistance, or wind speed resistance, are valid for the product in the released and closed state, and assuming that the wind blows perpendicularly to the plane of the blind with a minimum dynamic effect.



3) In case of exceeding the declared values of the wind resistance, the blind can get damaged permanently.

Wind resistance class	0	1	2	3	4	5	6
Wind speed [km/h]	< 30	30	35	45	60	75	90

IMPORTANT INFORMATION

4) Use only blinds which are without defects. In case of damage, do not manipulate the blind, and call the professional company that carried out the installation of the blind for you or that sold it to you to repair it.

5) In case of a strong wind, e.g. a storm, there is a risk of damage to the blind and it is necessary to retract the blind to the upper end position.

6) External blinds are not a security feature of the building. The deflection of the slats is a normal characteristic of the product.

7) In winter, there is a danger of the blind freezing to its surroundings, or of rime. Before using the product, always check to see if the blind is not frozen in the guide rails or to the windowsill. If it happens, the rime or icing must be removed carefully. If it is not removed, do not use the product, otherwise you may damage the product.

8) In case of contamination of slats by dust or other dirt, it is necessary to remove this dirt. Otherwise, the slats can be scratched due to the friction of the slats with this dirt, or other damage to the blind can occur. Blinds cannot be cleaned chemically.

9) The blind is not a blackout element so it does not prevent the light to get into interior at 100 %.

10) If you need to uninstall the blind, contact a professional company.

11) The product disposal must be done in accordance with the applicable laws in the given country.

Manual operation – general information

12) Do not operate the blind by pulling or by lifting the slats. You may damage the product.

13) When lowering or retracting the blind, make sure that any objects or persons are not in the path of the slats. Do not reach into the path of the slats with any parts of your body, you can get hurt.

Manual operation – cord (EXT-50)

14) The operation of the blind must be fluent, without any violent or jerky pulls.

15) Just before approaching the end positions, it is necessary to operate the blind carefully to avoid its damage.

16) If the blind control is damaged, contact a professional company to repair it.

17) The blind can be stopped at any position.



18) The control should not be used by children. Take care to avoid accidents, such as entanglement of the child into the control which could cause suffocation!

Operation instructions - cord:

The blind is operated by pulling the cord. To get the slats into the lower end position, take the cord and pull it smoothly until the slats get into the required position.

MANUAL OPERATION - CRANK

- 14) The operation of the blind must be fluent, do not turn the crank violently.
- 15) Just before approaching the end positions, it is necessary to operate the blind carefully to avoid its damage.
- 16) If the blind control is damaged, contact a professional company to repair it. The exchange of the crank can also be done by the blind user.
- 17) The blind can be stopped at any position.



- 18) The control should not be used by children. Take care to avoid accidents.

Operation instructions - crank:

The blind is operated by the crank. In its bottom part, the crank has a bent mechanism which rotates. To get the slats into the lower end position, grasp the crank with both hands in the bent part and move it away from the wall/frame to handle the blind comfortably (the distance cannot be too big). Turning the crank on one side or the other leads to lowering or lifting the slats, or to tilting the slats. After finishing the operation, put the crank back into its holder with the bottom bent part straightened up. If you have a removable crank, attach its upper part with the funnel to the outlet on the wall so that the funnel fits on the counterpart and turn it. Thus the crank and outlet are fixed. Turning the crank on one side or the other leads to lowering or lifting the slats.



- Do not drop the removable crank, it may fall off the outlet.



- Do not put the removable crank into the crank holder, the crank may fall off!

Motor operation

- 12) Working with components associated with electric current must be performed by a person skilled in that field that has the required permissions for such connections. The place of the cable connection must remain accessible even after connecting the motor!
- 13) When lowering or retracting the blind, make sure that any objects or persons are not in the path of the slats. Do not reach into the path of the slats with any parts of your body, you can get hurt.
- 14) The end positions of the blind are set up by the company performing the installation. Do not change the end positions, and if you need to change them, always contact a professional company.



15) In case of freezing or rime, there is a danger that the motor or the blind can be damaged.

The motor is equipped with a thermal fuse. In case of overheating the motor, wait 10 to 20 minutes.

Operation instructions - motor:

For motor-operated blinds, the function is ensured by the blind motor placed in the head rail. The operation of the motor is possible in several ways (it depends on the customer's request stated in the order):

Local switch
Remote control
Central switch
Automatic operation
Combined operation

The actual operation is via buttons located on different types of switches. The switches usually have two or three buttons. These are the buttons to move the blind upwards, downwards, and some switches has the third button – the stop button. By pressing the button, the blind starts moving in the desired direction, or stops. If it reaches the end position, the motor stops automatically. The end positions of the blind are set up and checked by the company performing the installation. For each type of the switch, there are separate instructions for use, which is included in the packaging.

MAINTENANCE

16) External blinds do not require any special maintenance.



With motor-operated blinds, there is a risk of electric shock. Never manipulate with its wiring. Working with components associated with electric current must be performed by a person skilled in that field that has the required permissions for such connections!



During the maintenance or inspection of the blind, never lean any output devices on the blinds, e.g. ladder!



During the maintenance or inspection of the blind, never hold on to it!



Do not switch the blind on, and do not allow others to switch the blind on during the maintenance time!

17) If any repair or service is necessary, you shall always contact the manufacturer or the company performing the installation. In this case, the blind cannot be used anymore.

18) It is necessary to exchange batteries in the remote control.

19) The blind shall be periodically checked (at least once a year) to avoid potential damage to the blind, namely:

Cleanness of slats and guide rails

In the case of pollution, it is necessary to clean the slats and guide rails. To clean them, use water with mild detergent or abrasive, water temperature max. 40 degrees. If the blind is motor-operated, prevent penetration of the water into the motor placed in the head rail. Do not use high-pressure cleaners or solvents.

Functioning of slats

When operating the blind, check the running of the slats visually each time when using the product.

Setting of end positions

When operating the blind, check the setting of the end positions visually each time when using the product.

State of controls

Operation by cord – check for excessive wear of the control, such fraying.

Operation by crank – check for the condition of the control outlet, outlet fixation and the crank itself.

Noise of the blind

In the case that an unusual noise occurs when operating the blinds, stop the blind and do not use it anymore. Call the professional company that installed the blind. They will check the blind and propose next steps (repair, service).

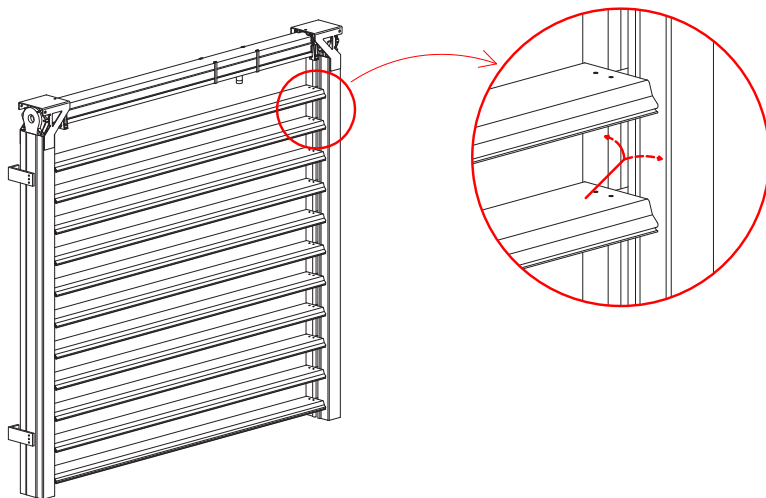
Quality of the mounting base

In case of the bad bearing base, immediately contact the company that installed the blind. The blind may fall off.

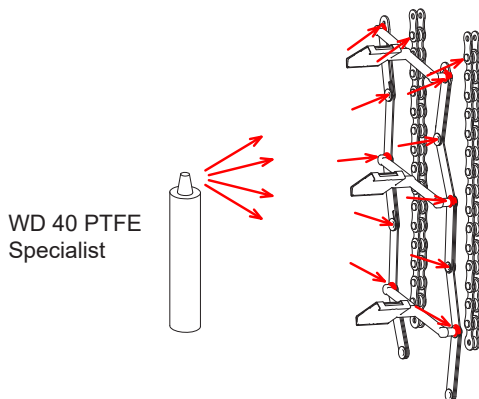
For disposal of packaging material and the product itself, or its electronic components, use the method and collection points designated for that purpose.

LUBRICATION PLAN OF PROTAL GUIDE RAILS

When using Protal external blinds, the noise of the mechanisms in the guide rail may increase. This is a standard feature of the product, not a defect. In this case, we recommend treating the mechanism with "WD-40 PTFE Specialist" grease according to the diagram below.



The mechanism placed in the Protal guide rail.



When lubricating, pay extra attention to the surroundings, as the walls and facade may be greasy and oil may leak from the guide rail.

SERVIS CLIMAX a.s., Jasenice 1253, Vsetin, 75501, CZ